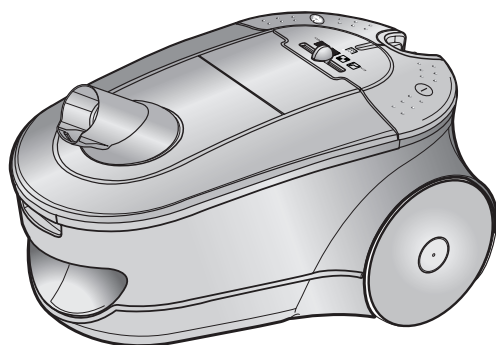


Operating Instructions

NILFISK ASTRAL

Nilfisk Astral Series

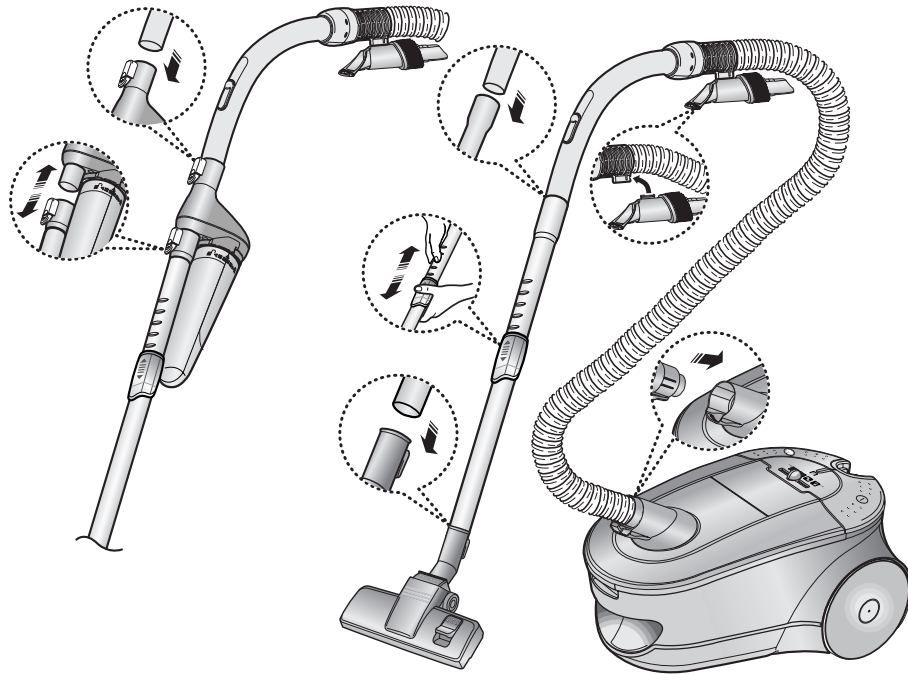


- * Before operating this unit, please read the instructions carefully.
- * Indoor use only.

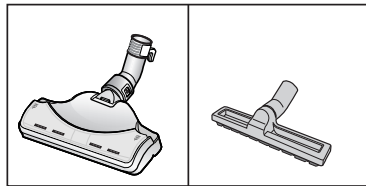
IMPORTANT SAFEGUARDS

1. Read all instructions carefully. Before switching on, make sure that the voltage of your electricity supply is the same as that indicated on the rating plate on the bottom of the cleaner.
2. **WARNING:** Do not use the vacuum cleaner when rug or floor is wet.
Do not use to suck up water.
3. Close supervision is necessary when any appliance is used by or near children. Do not allow the vacuum cleaner to be used as a toy. Do not allow the vacuum cleaner to run unattended at any time. Use the vacuum cleaner only for its intended use as described in these instructions.
4. Do not use the vacuum cleaner without a dust bag(dust bin). Empty the dust bin before it is full in order to maintain the best efficiency.
5. Do not use the vacuum cleaner to pick up matches, live ashes or cigarette butts. Keep the vacuum cleaner away from stoves and other heat sources. Heat can deform and dis-colour the plastic parts of the unit.
6. Avoid picking up hard, sharp objects with the vacuum cleaner as they may damage the cleaner parts. Do not stand on the hose assembly. Do not put a weight on the hose. Do not block the suction or the exhaust port.
7. Switch the vacuum cleaner off on the body of the machine before unplugging from the electrical outlet. Disconnect plug from the electrical outlet before changing the dust bag or dust container. To avoid damage, please remove the plug by grasping the plug itself, not by pulling on the cord.
8. The plug must be removed from the socket outlet before cleaning or maintaining the appliance.
9. The use of an extension cord is not recommended.
10. If your vacuum cleaner is not operating correctly, switch off the power supply and consult an authorized service agent.
11. If the supply cord is damaged, it must be replaced by the manufacturer or its service agent or a similarly qualified person in order to avoid a hazard.
12. Don't carry the vacuum cleaner by holding the hose.
Use the handle on the vacuum cleaner set.

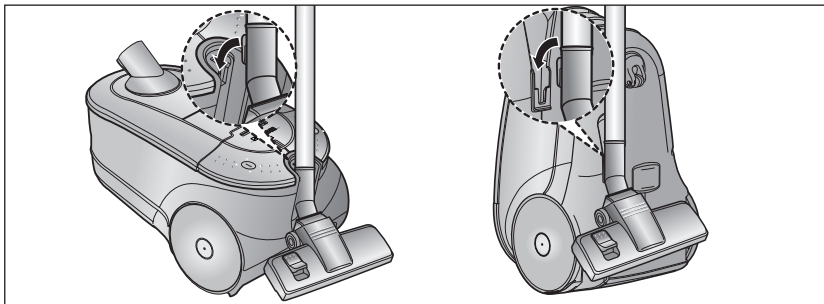
1 ASSEMBLING THE CLEANER



OPTION



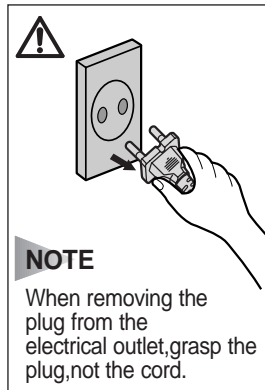
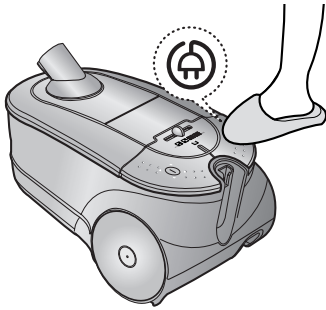
► Features may vary according to model.



For storage, park the floor nozzle.

2 OPERATING THE CLEANER

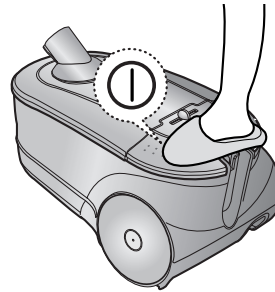
2-1 POWER CORD



NOTE

When removing the plug from the electrical outlet, grasp the plug, not the cord.

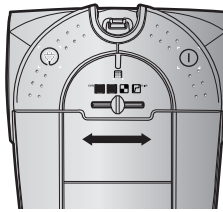
2-2 ON/OFF SWITCH



2-3 POWER CONTROL

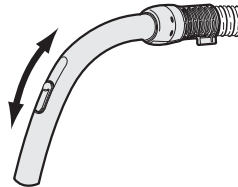
MIN = For delicate surface e.g. net curtains.

MAX = For hard floors and heavily soiled carpets.

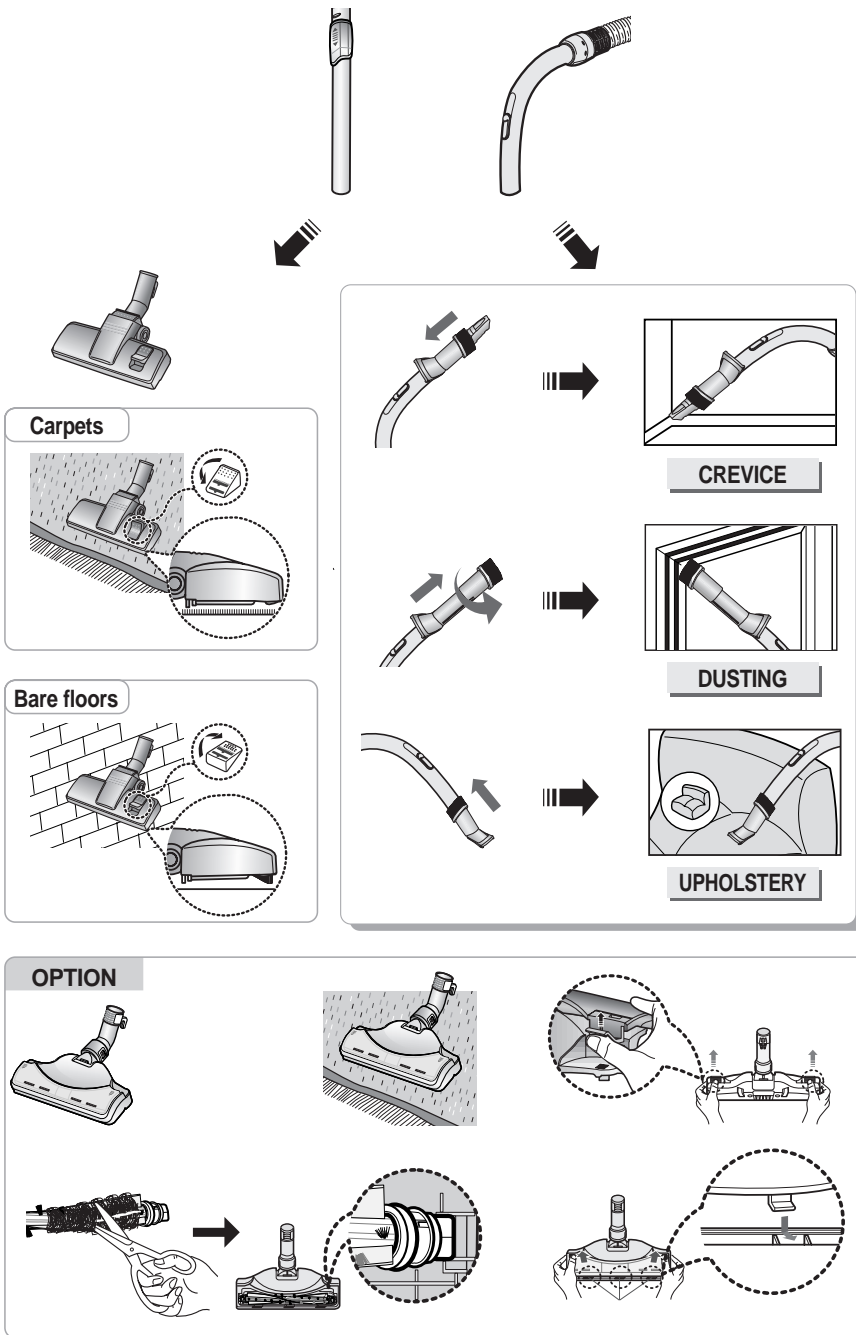


2-4 AIR CONTROL

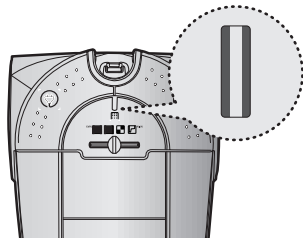
To reduce suction for cleaning draperies, small rugs, and other light fabrics, pull the tap air until the hole is open.



2-5 USING FLOOR TOOLS

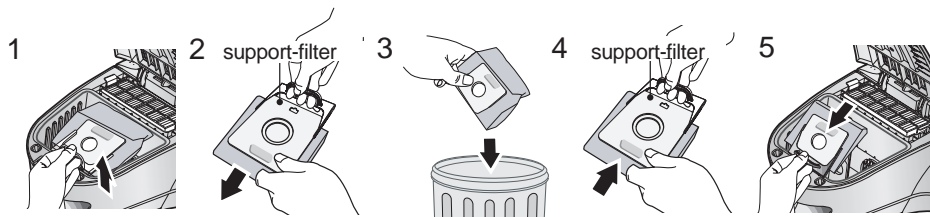


3 INDICATOR LIGHTS



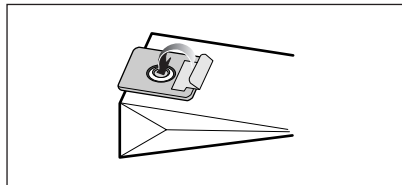
When the indicator light comes on, please change the DUST BAG as shown in the following illustrations.

CHANGING THE DUST BAG

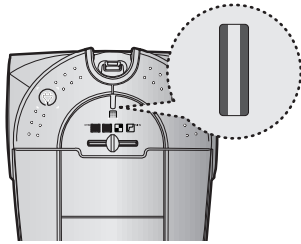


NOTE

A used dust bag can be sealed by removing the paper from the adhesive strip and sealing the strip over the hole. Please make sure to retain the support-filter when you dispose of the dust bag.

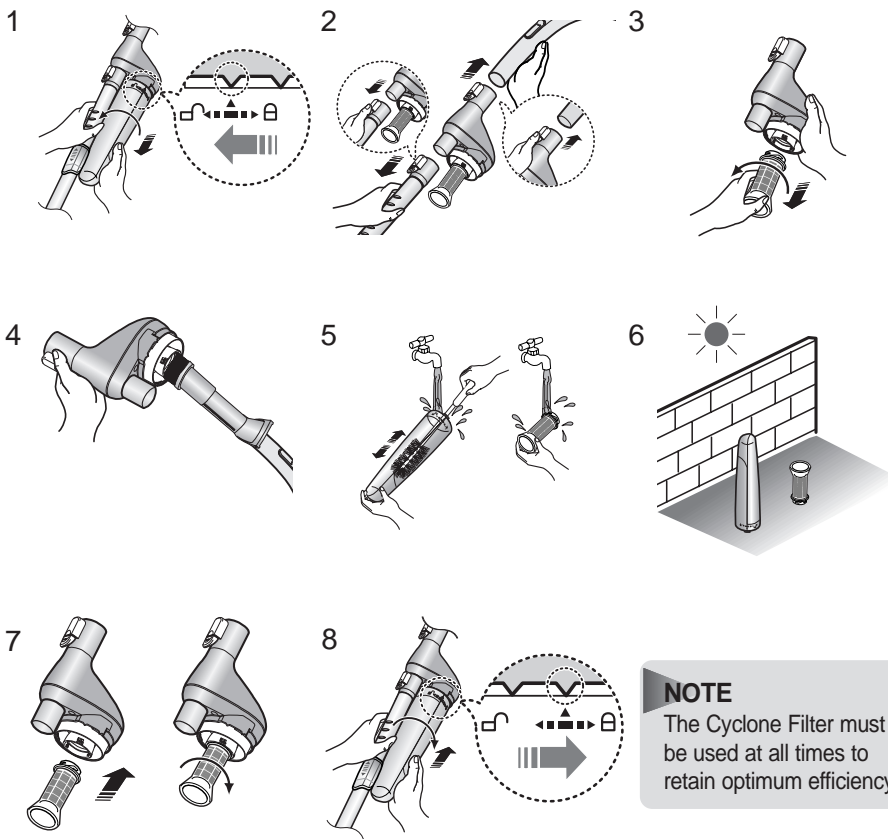


4 INDICATOR LIGHTS



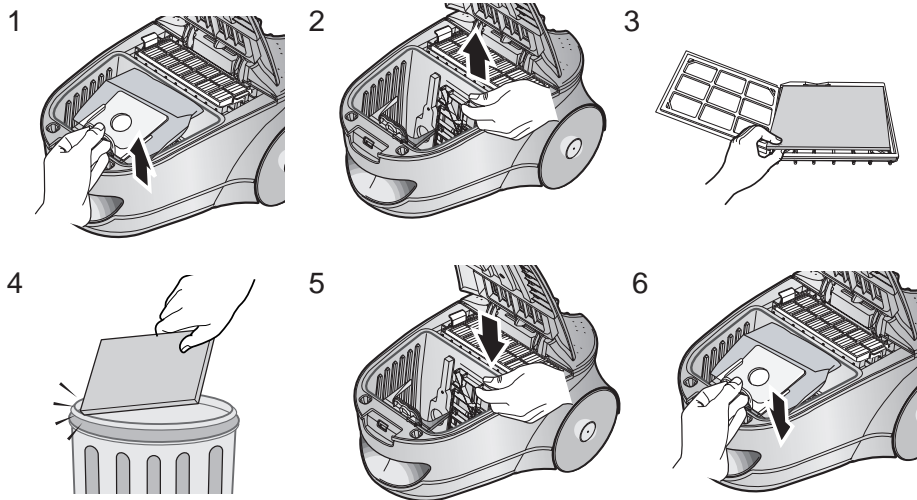
When the indicator light comes on, please empty and clean the Cyclone Filter as shown in the following illustrations.

CLEANING THE CYCLONE FILTER (option)



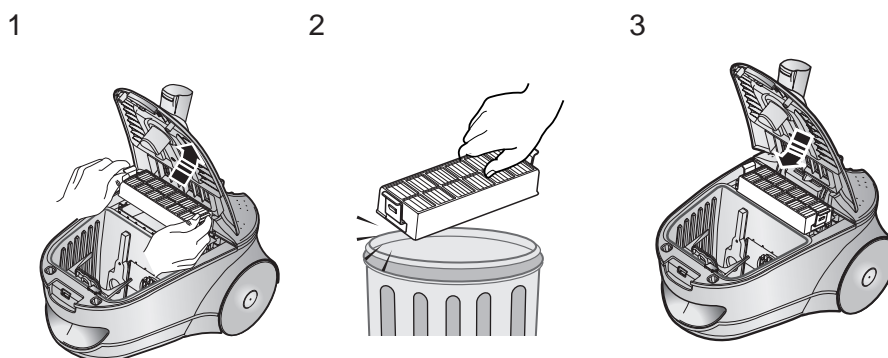
NOTE
The Cyclone Filter must be used at all times to retain optimum efficiency.

5 CLEANING THE INLET FILTER



NOTE : Please do not throw away the filter. It must be retained to maintain cleaning efficiency.

6 CLEANING THE HEPA FILTER



NOTE : Please DO NOT use water to clean this filter. Please remove dust by tapping or shaking the filter.

- IF YOU HAVE A PROBLEM

PROBLEM	CAUSE	REMEDY
Motor does not start.	No power supply. Thermal cut-out.	Check cable, plug and socket. Leave to cool.
Suction force is gradually decreasing.	Nozzle, suction hose or tube is blocked.	Check for blockage and remove.
Cord does not rewind fully.	Check that the cord is not twisted or wound unevenly.	Pull the cord out 2-3m and push down the cord rewind button.
Vacuum cleaner does not pick up dirt.	Crack or hole in hose.	Check hose and replace if required.
Low or decreasing suction	Filter is full with dust.	Please check filter and, if required, clean as illustrated in the instructions.

NILFISK VACUUM CLEANER

LIMITED WARRANTY TO ORIGINAL PURCHASER

This NILFISK brand product, as supplied and distributed by NILFISK-Advance A/S(NILFISK) and delivered new, in the original carton to the original consumer purchaser, is warranted by NILFISK against manufacturing defects in materials and workmanship for the following limited warranty period: **Two(2)years**.

This limited warranty begins on the original date of purchase, and is valid only on products purchased and used in the United States, and does not include transportation, installation, removal or reinstallation, routine maintenance and cleaning, and does not extend to accessories, belts or consumable items such as filters and bags. Warranty repairs must be performed by NILFISK'S authorized service center. To receive warranty service, the original dated bill of sale must be presented upon request as proof of purchase to NILFISK or NILFISK'S authorized service center. Transportation to and from the service center is the responsibility of the purchaser.

NILFISK will repair or replace this product, at our option and at no charge with new or reconditioned parts, if found to be defective during the limited warranty period specified above. The product must be returned during the warranty period with transportation charged prepaid to NILFISK'S designated service center. Prior to returning any product for warranty service, the purchaser must contact NILFISK for problem determination and service procedures. NILFISK does not warrant uninterrupted or error-free operation of the product. All replaced parts and products become the property of NILFISK and must be returned to NILFISK. Replacement parts and products assume the remaining original warranty, or ninety (90) days, whichever is longer.

This limited warranty covers manufacturing defects in materials and workmanship encountered in normal, noncommercial use of this product and, as determined by NILFISK, shall not apply to the following, including, but not limited to: damage which occurs in shipment; applications and uses for which this product was not intended; failures or problems which are caused by products or equipment not supplied by NILFISK; accidents, misuse, abuse, neglect, misapplication, fire, water, lightning or other acts of nature; incorrect electrical line voltage, fluctuations or surges; damage caused by improper or faulty installation; product alteration or modification; improper or unauthorized repair; cosmetic damage or product with altered serial numbers; failure to follow operating instructions, customer adjustments, maintenance and environmental instructions that are covered and prescribed in the instruction book; use of non-NILFISK or unauthorized parts, supplied, accessories or equipment which damage this product or result in service problems.

THERE ARE NO EXPRESS WARRANTIES OTHER THAN THOSE LISTED AND DESCRIBED ABOVE, AND NO WARRANTIES WHETHER EXPRESS OR IMPLIED, INCLUDING, BUT NOT LIMITED TO, ANY IMPLIED WARRANTIES OF MERCHANTABILITY OR FITNESS FOR A PARTICULAR PURPOSE, SHALL APPLY AFTER THE EXPRESS WARRANTY PERIODS STATED ABOVE, AND NO OTHER EXPRESS WARRANTY OR GUARANTY GIVEN BY ANY PERSON, FIRM OR CORPORATION WITH RESPECT TO THIS PRODUCT SHALL BE BINDING TO NILFISK. NILFISK SHALL NOT BE FOR LOSS OF REVENUE OR PROFITS, FAILURE TO REALIZE SAVINGS OR OTHER BENEFITS, OR ANY OTHER SPECIAL, INCIDENTAL OR CONSEQUENTIAL DAMAGES CAUSED BY THE USE, MISUSE OR INABILITY TO USE THIS PRODUCT, REGARDLESS OF THE LEGAL THEORY ON WHICH THE CLAIM IS BASED, AND EVEN IF NILFISK HAS BEEN ADVISED OF THE POSSIBILITY OF SUCH DAMAGES. NOR SHALL RECOVERY OF ANY KIND AGAINST NILFISK BE GREATER IN AMOUNT THAN THE PURCHASE PRICE OF THE PRODUCT SOLD BY NILFISK AND CAUSING THE ALLEGED DAMAGE. WITHOUT LIMITING THE FOREGOING, PURCHASER ASSUMES ALL RISK AND LIABILITY FOR LOSS, DAMAGE OR INJURY TO PURCHASER AND PURCHASER'S PROPERTY AND THEIR PROPERTY ARISING OUT OF THE USE, MISUSE OR INABILITY TO USE THIS PRODUCT SOLD BY NILFISK NOT CAUSED DIRECTLY BY THE NEGLIGENCE OF NILFISK. THIS LIMITED WARRANTY SHALL NOT EXTEND TO ANYONE OTHER THAN THE ORIGINAL PURCHASER OF THIS PRODUCT, IS NONTRANSFERABLE AND STATES YOUR EXCLUSIVE REMEDY.

Some states do not allow limitations on how long an implied warranty lasts, or the exclusion or incidental or consequential damages, so the above limitations or exclusions may not apply to you. This warranty gives you specific legal rights, and you may also have other rights which vary from state to state.

NILFISK

**EU Declaration of conformity
for Nilfisk vacuum cleaners**

Manufacturer Nilfisk-Advance A/S
Address Sognevej 25
DK-2605 Brøndby
Denmark
Telephone +45 43 23 81 00
Telefax +45 43 43 77 00


hereby declares that:
Nilfisk vacuum cleaners

NILFISK ASTRAL

have been manufactured as from 2003 in conformity with the provision in the Council Directives:

73/23/EEC Directive)	LV-Directive (Low Voltage
89/336/EEC	EMC-Directive (Electro Magnetic Compatibility)
89/392/EEC	M-Directive (Machine)

Nilfisk-Advance A/S



Jørgen Jensen
Executive Vice-President