

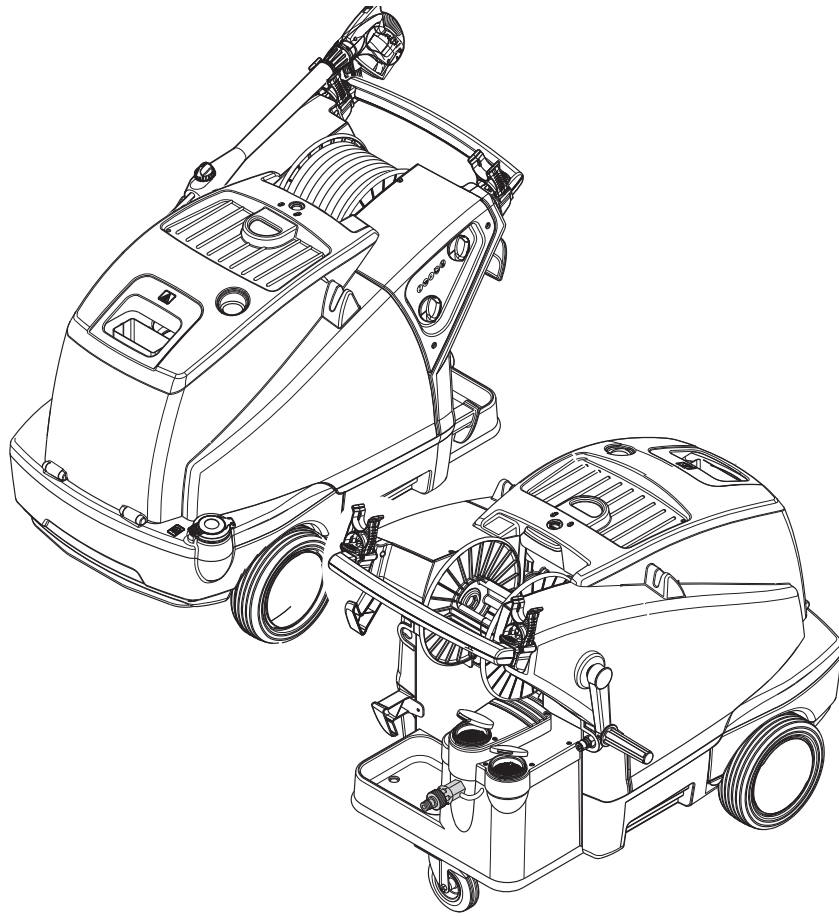
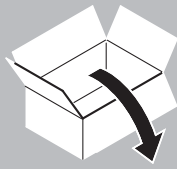


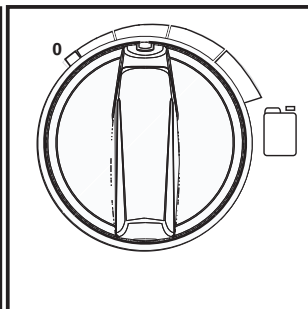
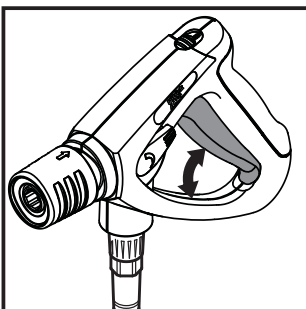
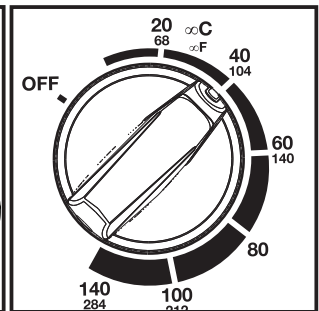
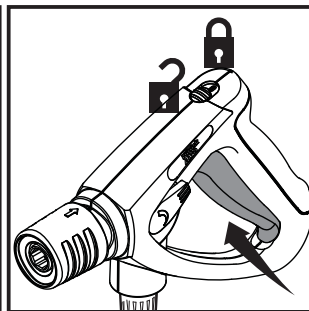
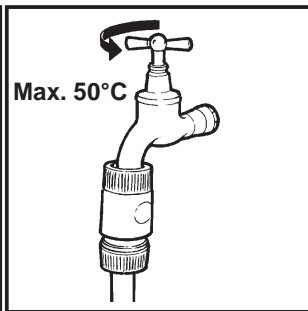
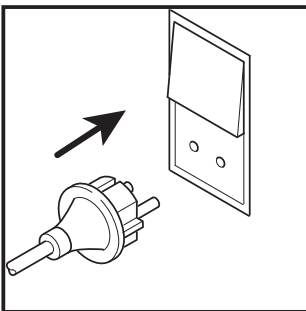
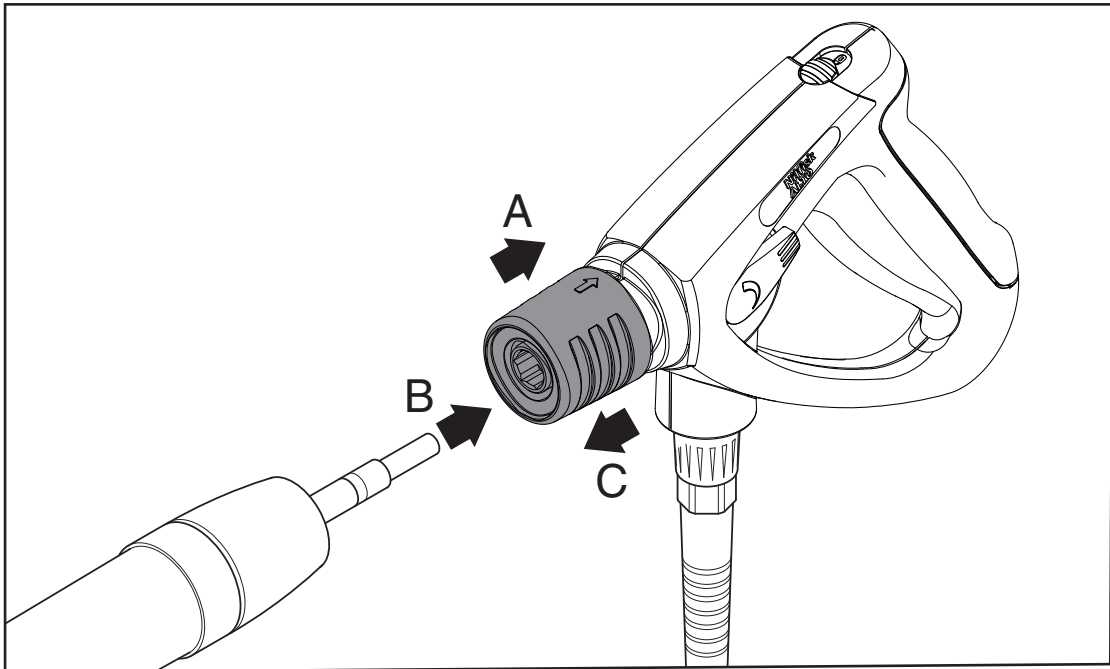
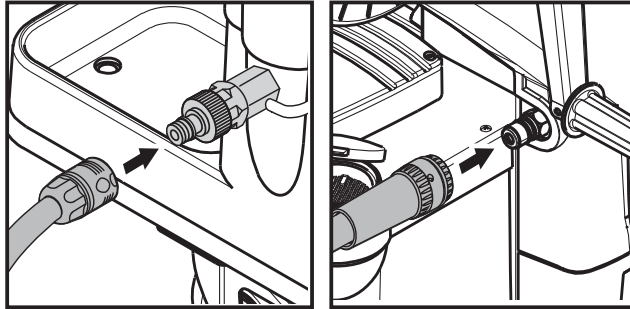
NEPTUNE 4 FA Quick Start Guide

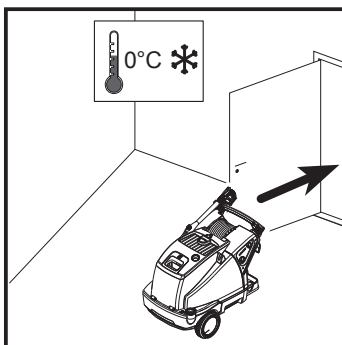
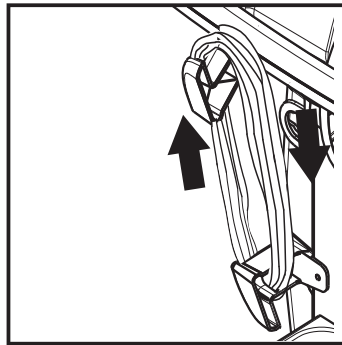
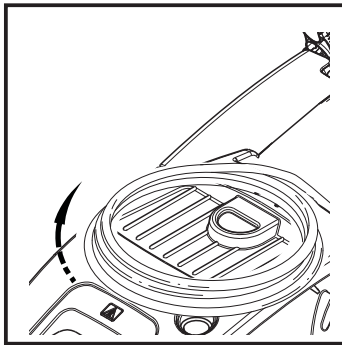
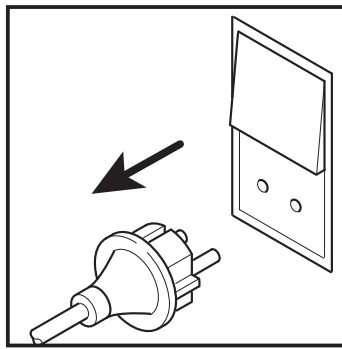
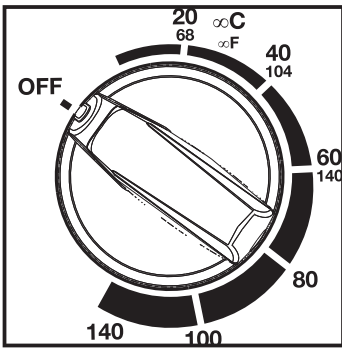
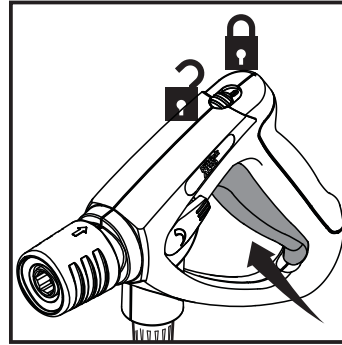
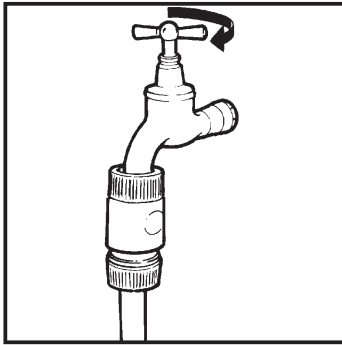
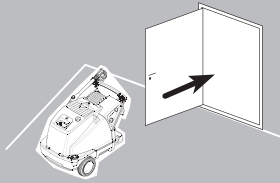


Nilfisk
ALTO

Why Compromise







This document

This document contains the safety information relevant for the appliance along with a quick start guide.



Prior to using the appliance for the first time, be sure to read this document through and keep it ready to hand.

Further support

Detailed information on the appliance can be found in the operating instructions, which you can download from our web site at www.nilfisk-alto.com.

For further queries, please contact the Nilfisk service representative responsible for your country. See reverse of this document.

Important safety instructions

the appliance must

- only be used by persons, who have been instructed in its correct usage and explicitly commissioned with the task of operating it
- only be operated under supervision
- not be used by children
- High pressure hoses and couplings are safety relevant. Only use parts recommended by the manufacturer
- Oil- or gas heated machines must be placed in well ventilated areas

Warning

- Ensure that any exhaust emissions are not in the vicinity of air intakes.
- This machine shall only be used with cleaning chemicals supplied or recommended by Nilfisk-ALTO. The use of other cleaning chemicals may adversely affect the safety of the machine.
- Risk of explosion – Do not use the cleaner to spray with flammable liquids.
- The cleaner must be disconnected from its power source during cleaning of the machine, maintenance, when replacing parts or converting the machine to another function.

Purpose and intended use

This high-pressure cleaner has been designed for professional use. It can be used for cleaning agricultural and construction equipment, stables, vehicles, rusty surfaces, etc.

The cleaner has not been approved for cleaning surfaces which comes into contact with food.

Always use the cleaner as described in these

operating instructions. Any other use may damage the cleaner or the surface to be cleaned or may result in severe injury to persons.

General

Use of the high pressure cleaner is subject to the applicable local regulations.

Besides the operating instructions and the binding accident prevention regulations valid in the country of use, observe recognised regulations for safety and proper use.

Transport

1. For safe transport in and on vehicles we recommend to prevent the equipment from sliding and tilting by fixing it with belts
2. Transport (when tilted):
 - Unplug the machine before tilting it.
 - Do not tilt the machine on the front.
3. When transported at or below 0°C, pour anti-freeze into the water boiling tank and suck up anti-freeze through the pump beforehand.

Storage

- Store the appliance in a dry place, protected from frost.

NEVER START-UP A FROZEN MACHINE.

Frost damages are not covered by the guarantee!

Before use

Before starting up your machine, please check it carefully for any defects. If you find any, do not start up your machine. Contact your Nilfisk distributor.

Especially check:

- High pressure hose and spraying pistol.
- The insulation of the electric cable should be faultless and without any cracks. If the electric cable is damaged, an authorized Nilfisk distributor should replace it.

EN

Water connection

1. Never operate the cleaner without water. Even brief shortages of water result in severe damage to the pump seals.
2. This high pressure washer/cleaner is only allowed to be connected with the drinking water mains, when an appropriate backflow preventer has been installed, Type BA according to EN 1717. If the backflow preventer hasn't been supplied, one can be purchased from your dealer. The length of the hose between the backflow preventer and the high pressure washer must be at least 12 metres (min diameter 3/4 inch) to absorb possible pressure peaks. Operation by suction (for example from a rainwater vessel) is carried out without backflow preventer. Contact your dealer for suction set recommendations. As soon as water has flown through the BA valve, this water is not considered to be drinking water any more.
3. To connect the appliance use a textile-reinforced water hose with a nominal diameter of min. 3/4" (19mm).
4. Observe required water quantity and water pressure.
5. In the case of poor water quality (sand, etc.) add a water filter to the machine.
6. Rinse the water supply hose briefly in order to prevent sand and other dirt particles entering into the machine.

Mains power connection



The following should be observed when connecting the high pressure washer to the electric installation:

- Only connect the machine to an installation with earth connection.
- The electric installation shall be made by a certified electrician.
- According to IEC 60364-1 it is strongly recommended that the electric supply to this machine should include a residual current device (GFCI).

Extension cables

Inadequate extension cables can be dangerous. Cables on drums should always be completely unwinded to prevent the cable from overheating. Extension cables should be of a watertight construction and comply with the below-mentioned requirements for length and cable dimensions.

Cable length	Cross section	
	< 16 A	< 25 A
up to 20 m	1.5 mm ²	2.5 mm ²
20 to 50 m	2.5 mm ²	4.0 mm ²

- Cable connections should be kept dry and off the ground.

During operation

- High pressure jets can be dangerous. Never direct the water jet at persons, pets, live electrical equipment or the machine itself.



- Never try to clean clothes or footwear on yourself or other persons.
- The operator and anyone in the immediate vicinity of the site of cleaning should take action to protect themselves from being struck by debris dislodged during operation. Wear goggles during operation.
- Do not cover the machine during operation.
- Never use the machine in an environment where there could be a danger of explosion. If any doubt arises, please contact the local authorities.
- It is not allowed to clean asbestos-containing surfaces with high pressure.
- This high pressure washer must not be used at temperatures below 0°C.
- Only use correct fuel as specified. Improper fuels can cause severe hazard.

Repair and maintenance

Always remove the electric plug from the socket before carrying out maintenance work on the machine.

DE

FR

NL

IT

NO

SV

DK

SF

SL

HR

SK

CS

CS

PL

HU

RU

ET

LV

LT

ES

PT

EL

TR

RO

JA

ZH

KO

Safety devices

Locking device on spray gun:

The spray gun features a locking device. When the pawl is activated, the spray gun cannot be operated.

Thermal sensor:

A thermal sensor protects the motor against overloading. The machine will restart after a few minutes when the thermal sensor has cooled.

Pressure safety device

An integrated hydraulic safety valve protects the system from excessive pressure.

Thermal safety device:

A thermal safety device placed in the chimney protects the machine from overheating. The safety device must only be replaced by a Nilfisk-ALTO technician.

Guarantee

Our general conditions of business are applicable with regard to the guarantee.

Unauthorised modifications to the appliance, the use of incorrect accessories, spare parts and cleaning chemicals in addition to using the appliance in a way other than for the intended purpose exempt the manufacturer from any liability for the resulting damage.

Recycling the washer

Make the old cleaner unusable immediately.

1. Unplug the cleaner
2. Cut the electric cable.
3. Do not discard electrical appliances with household waste.



As specified in European Directive 2002/96/EC on old electrical and electronic appliances, used electrical goods must be collected separately and recycled ecologically. Contact your local authorities or your nearest dealer for further information.

Quick start guide

Pages 2 – 4 feature a pictorial quick reference guide, which is designed to help you when starting up, operating and storing the appliance. This quick start guide does not replace the separate operating instructions, which describes the appliance in detail. The operating instructions also contain further information on the operation, maintenance and repair of the appliance.

EN

DE

FR

NL

IT

NO

SV

DK

SF

SL

HR

SK

CS

CS

PL

HU

RU

ET

LV

LT

ES

PT

EL

TR

RO

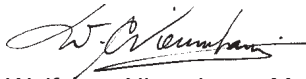
JA

ZH

KO



EU Declaration of Conformity

Product:	High Pressure Cleaner
Type:	NEPTUNE 4
Description:	400 V 3~ 50 Hz IPX5 400/230 V 3~ 50Hz IPX5 230-240 V 1~ 50Hz IPX5
The design of the unit corresponds to the following pertinent regulations:	EC Machine Directive 2006/42/EC EC Low-voltage Directive 2006/95/EC EC EMC Directive 2004/108/EC
Applied harmonised standards:	EN ISO 12100-1, EN ISO 12100-2, EN 60335-2-79 EN 55014-1(2002), EN 55014-2(2001), EN 61000-3-2 (2006)
Applied national standards and technical specifications:	IEC 60335-2-79
 Wolfgang Nieuwkamp M. Sc. Tests and approvals	Nilfisk-Advance A/S Indsutrivej 1 DK-9560 Hadsund Hadsund, 01.06.2009

Nilfisk ALTO

Why Compromise

<http://www.nilfisk-advance.com>

HEAD QUARTER

DENMARK

Nilfisk-Advance Group
Sognevej 25
DK-2605 Brøndby
Tel.: (+45) 4323 8100
E-mail: mail.com@nilfisk-advance.com

SALES COMPANIES

ARGENTINA

Nilfisk-Advance srl.
Edificio Central Park
Herrera 1855, Office 604
Ciudad Autónoma de Buenos Aires
Tel.: (+54) 11 6091 1571

AUSTRALIA

Nilfisk-Advance
48 Egerton St.
P.O. Box 6046
Silverwater, N.S.W. 2128
Tel.: +61 2 8748 5900
E-mail: info@nilfisk-advance.com.au

AUSTRIA

Nilfisk-Advance GmbH
Metzgerstrasse 68
5101 Bergheim bei Salzburg
Tel.: 0662 456 400-14
E-mail: info.at@nilfisk-advance.com

BELGIUM

Nilfisk-Advance n.v.s.a.
Riverside Business Park
Boulevard Internationaaleaan 55
Bâtiment C3/C4 Gebouw
Bruxelles 1070
Tel.: (+32) 2 467 60 50
E-mail: info.be@nilfisk-advance.com

CANADA

Nilfisk-Advance
240 Superior Boulevard
Mississauga, Ontario L5T 2L2
Tel.: (+1) 905 564 1149
E-mail: info@advance.ca.com

CHILE

Nilfisk-Advance de Chile
San Alfonso 1462
Santiago
Tel.: (+56) 2 684 5000
E-mail: Pablo.Noriega@nilfisk-advance.com

CHINA

Nilfisk-Advance (Suzhou)
Building 18, Suchun Industrial Estate
Suzhou Industrial Park
215021 Suzhou
Tel.: (+86) 512 6265 2525

CZECH REPUBLIC

Nilfisk-Advance
VGP Park Horní Počernice
Do Čertous 1/2658
193 00 Praha 9
Tel.: (+420) 24 14 08 419

DENMARK

Nilfisk-Advance A/S
Industrivej 1
9560 Hadsund
Tel.: +45 7218 2100
E-mail: salg.dk@nilfisk-advance.com

FINLAND

Nilfisk-Advance Oy Ab
Piispantilankuja 4
02240 Espoo
Tel.: +358 207 890 600
E-mail: asiakaspalvelu.fi@nilfisk.com

FRANCE

Nilfisk-Advance
26 Avenue de la Baltique
Villebon sur Yvette
91944 Courtabouef Cedex
Tel.: (+33) 1 69 59 87 00
E-mail: info.fr@nilfisk-advance.com

GERMANY

Nilfisk-ALTO
Geschäftsbereich der Nilfisk Advance AG
Guido-Oberdorfer-Strasse 10
D-89287 Bellenberg
Tel.: +49 (0) 180 5 37 37 37
E-mail: info.de@nilfisk-alto.com

GREECE

Nilfisk-Advance SA
8, Thoukididou str.
164 52 Argiroupolis
Tel.: +30 210 911 9600
E-mail: nilfisk-advance@clean.gr

HOLLAND

Nilfisk-Advance
Versterkerstraat 5
1322 AN Almere
Tel.: (+31) 36 546 07 00
E-mail: info.nl@nilfisk-advance.com

HONG KONG

Nilfisk-Advance Ltd.
Room 2001 HK Worsted Mills
Industrial Building
31-39 Wo Tong Tsui Street
Kwai Chung
Tel.: (+852) 24 27 59 51

HUNGARY

Nilfisk-Advance Kereskedelmi Kft.
II. Rákóczi Ferenc út 10
2310 Szigetszentmiklos-Lakihegy
Tel.: (+36) 24475 550
E-mail: info@nilfisk-advance.hu

INDIA

Nilfisk-Advance India Limited
349, Business Point,
No 201, 2nd floor, above Popular Car World,
Western Express High way, Andheri (East),
Mumbai - 400 069
Tel.: (+91) 223 2174592

IRELAND

Nilfisk-Advance
1 Stokes Place
St. Stephen's Green
Dublin 2
Tel.: (+35) 3 12 94 38 38

ITALY

Nilfisk-Advance SpA
Strada Comunale della Braglia, 18
26862 Guardamiglio (LO)
Tel.: +39 0377 41 40 46
E-mail: mercato.italia@nilfisk-advance.it

JAPAN

Nilfisk-Advance Inc.
1-6-6 Kita-shinyokohama, Kouhoku-ku
Yokohama, 223-0059
Tel.: (+81) 45 548 2571

KOREA

Nilfisk-Advance
Kumwon B/D 3F, 471-4, Gunja-Dong
Gwangjin-Ku
Tel.: (+82) 2497 8636

MALAYSIA

Nilfisk-Advance Sdn Bhd
Sd 14, Jalan KIP 11
Taman Perindustrian KIP
Sri Damansara
52200 Kuala Lumpur
Tel.: (+603) 62753120

MEXICO

Nilfisk-Advance de Mexico, S. de R.L. de C.V.
Prol. Paseo de la Reforma 61, 6-A2
Col. Paseo de las Lomas
01330 Mexico, D.F.
Tel.: +52 55 2591 1002 (switchboard)
E-mail: info@advance-mx.com

NEW ZEALAND

Nilfisk-Advance
Danish House
6 Rockridge Avenue
Penrose, Auckland 1135
Tel.: (+64) 95 25 00 92

NORWAY

Nilfisk-ALTO
Division of Nilfisk-Advance
Bjørnerudveien 24
1266 Oslo
Tel.: (+47) 22 75 17 70
E-mail: info.no@nilfisk-alto.com

POLAND

Nilfisk-Advance Sp. Z.O.O.

05-800 Pruszków
ul. 3-go MAJA 8
Tel.: +48 22 738 37 50

PORTUGAL

Nilfisk-Advance
Sintra Business Park
Zona Industrial Da Abrunheira
Edificio 1, 1º A
P2710-089 Sintra
Tel.: +35 121 911 2670
E-mail: mkt.pt@nilfisk-advance.com

RUSSIA

Нилфиск-Эдванс
127015 Москва
Вятская ул. 27, стр. 7
Россия
Tel.: (+7) 495 783 96 02
E-mail: info@nilfisk.ru

SINGAPORE

Nilfisk-Advance Pte. Ltd.
40 Loyang Drive
Singapore 508961
Tel.: (+65) 6759 9100

SPAIN

Nilfisk-Advance S.A.
Torre D'Ara
Paseo del Rengle, 5 Pl. 10
08302 Mataró
Tel.: (+3) 4 93 741 2400
E-mail: mkt.es@nilfisk-dvance.com

SWEDEN

Nilfisk-ALTO
Division of Nilfisk-Advance
Aminogatan 18
Box 40 29
431 04 Mölndal
Tel.: (+46) 31 706 73 00
E-mail: info.se@nilfisk-alto.com

SWITZERLAND

Nilfisk-Advance
Ringstrasse 19
Kircheberg/Industri Stelz
9500 Wil
Tel.: (+41) 719 23 84 44
E-mail: info.ch@nilfisk-advance.com

TAIWAN

Nilfisk-Advance Taiwan Branch
1F, No. 193, sec. 2, Xing Long Rd.
Taipei
Tel.: (+88) 6227 002 268

THAILAND

Nilfisk-Advance Co. Ltd.
89 Soi Chokechai-Ruammitr
Viphavadee-Rangsit Road
Ladyao, Jatuchak, Bangkok 10900
Tel.: (+66) 2 275 5630

TURKEY

Nilfisk-Advance Profesional Temizlik
Ekipmanlari Tic. A/S.
Necla Cad. No. 48
Yenisahra / Kadiköy
Istanbul
Tel.: (+90) 216 470 08 - 60
E-mail: info.tr@nilfisk-advance.com

UNITED KINGDOM

Nilfisk-Advance Ltd.
Unit 24
Hillside Business Park
Kempson Way
Bury St. Edmunds
Suffolk IP32 7EA
Tel.: (+49) 01284 763163
E-mail: sales.uk@nilfisk-advance.com

UNITED ARAB EMIRATES

Nilfisk-Advance Middle East Branch
SAIF-Zone
P.O. Box 122298
Sharjah
Tel.: (+971) 553 2626 82

USA

Nilfisk-Advance Inc.
14600 21st Avenue North
Plymouth, MN 55447-3408
Tel.: (+1) 763 745 3500

VIETNAM

Nilfisk-Advance Representative Office
No. 51 Doc Ngu Str.
Ba Dinh Dist.
Hanoi
Tel.: (+04) 761 5642
E-mail: nilfisk@vnn.vn